

PLG-650

Pulsed Laser Generator for Time-Resolved Detector Diagnostics



Applications

- Time response of high speed photomultipliers
- Gating measurement of image intensifiers

Features

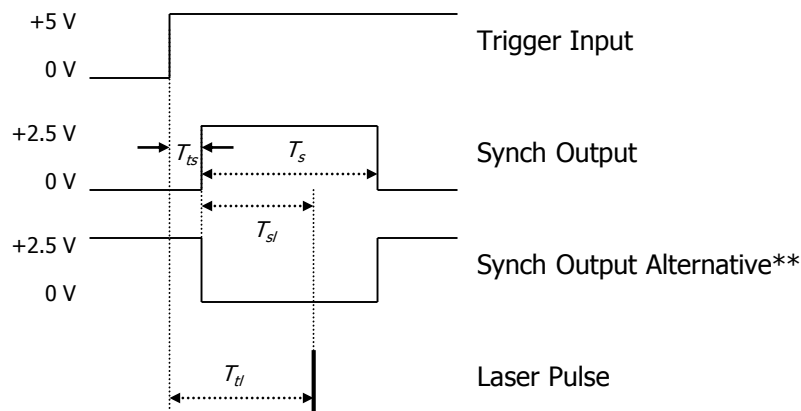
- Specifically designed for time-resolved diagnostics of high speed optical detectors
- Simple to use with only a trigger input and synch output connector
- A lens control allows the beam to be de-focused and spread across the detector area
- A variable width control allows pulse widths from 45 ps up to 800 ps

<i>PLG-650 Parameters</i>	Minimum	Maximum
Wavelength λ	645 nm	660 nm
Linewidth $\Delta\lambda$	3 nm	
Laser Class	Class 1	
Pulse Energy	8 pJ	100 pJ
Repetition Rate	0 Hz "Single Shot"	300 KHz Self-limited
Trigger Input	+3.2 V High Ω input	+5.5 V High Ω input
Power Supply	+9 V	+15 V
Supply Current @ +12 V	85 mA (No Trigger)	125 mA
Synch Pulse Output Impedance	50 Ω	

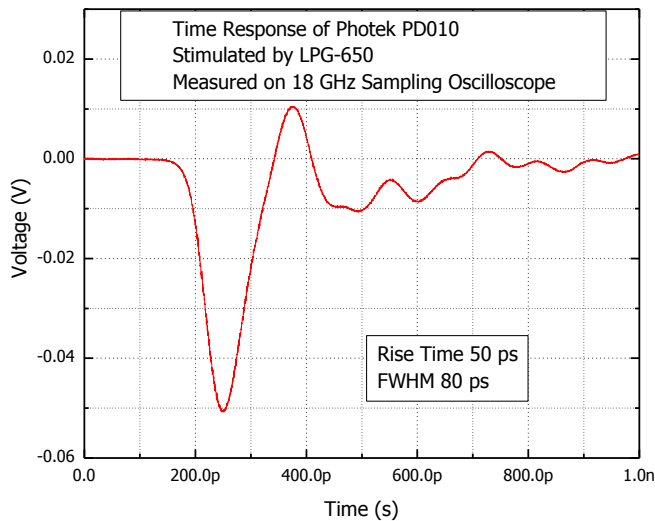
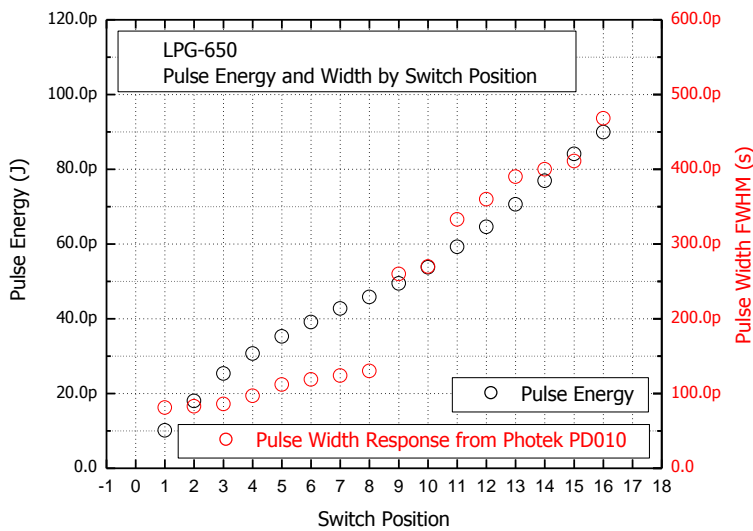
Typical Timing Parameters

Trigger – Laser Delay T_{tl}^*	46 ns
Trigger – Synch Delay T_{ts}	14 ns
Synch – Laser Delay T_{sl}	32 ns
Synch Pulse Width T_s	90 ns
T_{tl} Jitter	3 ps r.m.s.
T_{sl} Jitter	2 ps r.m.s.

*Can be reduced down to a minimum of 29 ns.
This will also reduce T_{sl} to 15 ns.

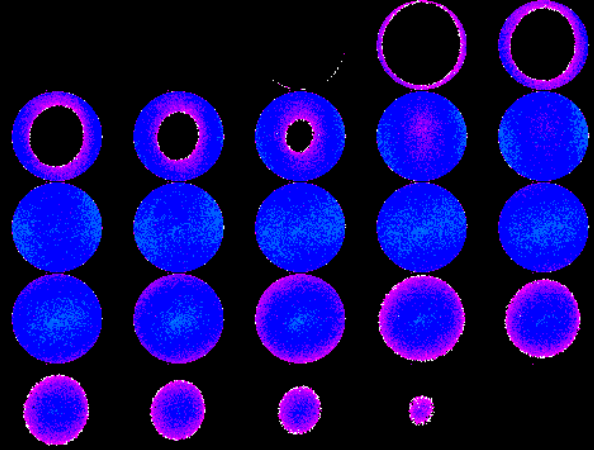


**Available on request



Gating Measurement

The true optical gating of an image intensifier is observed by synchronising the PLG-650 laser pulse with the gate unit, then adjusting the relative delay and stepping the laser through the gate pulse.



This result shows a PLG-650 laser pulse being stepped through a 4 ns gate window generated by a PHOTEK GM200-3N gate unit on a PHOTEK MCP118 image intensifier. Each step represents an extra 200 ps delay on the laser pulse.

<i>Mechanical</i>	
Height	54 mm (not including mounting post)
Width	61 mm
Length	149 mm (approx)
Weight	260 g
Mounting Post Length	30 mm, 40 mm, 50 mm, 60 mm*, 80 mm, 100 mm, 120 mm, 150 mm, 200 mm, 250 mm, 300 mm
Mounting Post Diameter	12mm*, 20 mm
Trigger Input Connector	SMA
Power Supply Connector	SMB
Synch Output Connector	SMA
<i>*Standard Issue</i>	

Photek Ltd

26 Castleham Road,
St Leonards on Sea,
East Sussex, TN38 9NS,
United Kingdom

T: (+44) 1424 850555
F: (+44) 1424 850051
E: sales@photek.co.uk
W: www.photek.co.uk

25/07/17

Photek Ltd reserves the right to update and improve this specification without prior notice

© 2001 Photek Ltd

Photek is a registered trademark of Photek Limited in the UK and for other countries