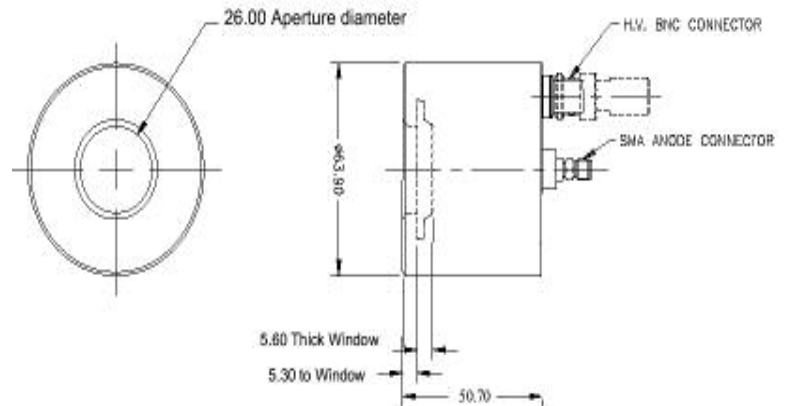
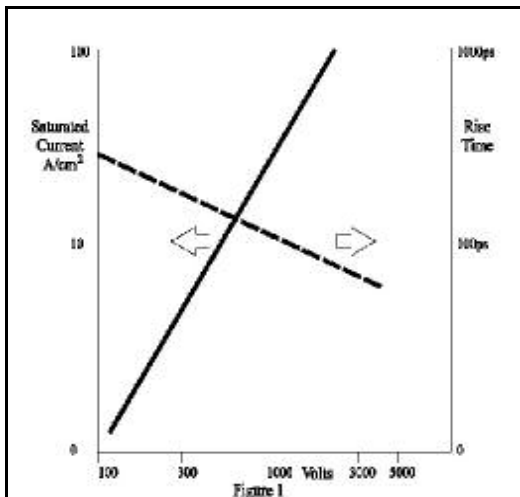


PHOTODIODE PD025



INTRODUCTION

The PD025 is an all metal -ceramic Photodiode tube built with a remotely processed photocathode. In normal operation the mesh is held at ground and the photocathode at negative voltage. This allows the anode to be held at virtual ground with easy connection to an oscilloscope etc.



Saturated current and rise time are shown as a function of cathode

Performance characteristics of a typical S20 PD025

Photocathode	S20 - Quartz Window
Active Diameter	25 mm
Spectral Range	180 – 600 nm
Quantum Efficiency @ 300nm	18% typical
Lifetime	0.1 Coulomb
Output Pulse Duration	100 ps FWHM typical
Operation Mode	Normally ON
Connectors	Signal SMA HV BNC
Maximum Overall Voltage	-5 kV

FEATURES

- Built-in 50 ohm connector
- SMA or N-type option
- Linear response > 5A/cm²
- Rise Time < 100 ps
- Response > 3 GHz
- Large Uniform Active Area
- Absolute photo-response/wavelength curve provided with each detector

APPLICATIONS

- Examination of sub-nanosecond optical pulses
- Optical Trigger
- Driver for Pockel Cells etc.

If you count photons.....count on

Photek

Photek Ltd
26 Castleham Road,
St Leonards on Sea,
East Sussex, TN38 9NS,
United Kingdom

Tel (+44) 1424 850555
Fax (+44) 1424 850051
sales@photek.co.uk
www.photek.co.uk

Photek Inc.,
PO Box 51748
Phoenix,
AZ 85076-1748,
USA

Tel (480) 759 7871
Fax (480) 759 6785
sales@photek.com
www.photek.com